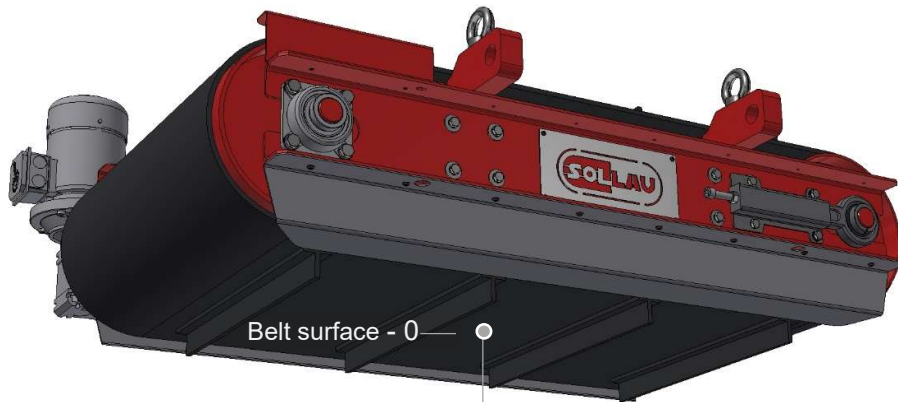


# DND-AC Ms2 F EKO



Belt surface - 0

